

ACARA : HOKI (L)
TARIKH : 23 - 24 MAC 2019 (SABTU - AHAD)
VENUE : MINI TURF HOKI UPM

| KUMP A | KUMP B | KUMP C | KUMP D |
|--------|--------|--------|--------|
| K6 | K2 | K5 | K13 |
| KPZ | K10 | KTDI | K12 |
| K16 | KTP | K15 | KC |
| | K17 | KMR | KOSASS |

Tidak menyertai: K14 Tarik diri : K15

| NO. PER. | TARIKH | MASA | GLG | KUMP | PASUKAN | LWN | PASUKAN | KEPUTUSAN |
|--------------------------------|------------------------|-------|----------------------|-----------------|---------|-----|---------|-----------|
| 1 | 23 MAC 2019 (SABTU) | 14:00 | TURF HOKI | A1 - A3 | K6 | - | K16 | 2 - 0 |
| 2 | | 14:12 | TURF HOKI | B1 - B3 | K2 | - | KTP | 1 - 0 |
| 3 | | 14:24 | TURF HOKI | B2 - B4 | K10 | - | K17 | 1 - 0 |
| 4 | | 14:36 | TURF HOKI | C1 - C3 | K5 | - | K15 | 2 - 0 |
| 5 | | 14:48 | TURF HOKI | C2 - C4 | KTDI | - | KMR | 2 - 0 |
| 6 | | 15:00 | TURF HOKI | D1 - D3 | K13 | - | KC | 0 - 0 |
| 7 | | 15:12 | TURF HOKI | D2 - D4 | K12 | - | KOSASS | 0 - 1 |
| 8 | | 15:24 | TURF HOKI | A3 - A2 | K16 | - | KPZ | 1 - 1 |
| 9 | | 15:36 | TURF HOKI | B4 - B1 | K17 | - | K2 | 0 - 1 |
| 10 | | 15:48 | TURF HOKI | B3 - B2 | KTP | - | K10 | 0 - 1 |
| 11 | | 16:00 | TURF HOKI | C4 - C1 | KMR | - | K5 | 1 - 0 |
| 12 | | 16:12 | TURF HOKI | C3 - C2 | K15 | - | KTDI | 0 - 2 |
| 13 | | 16:24 | TURF HOKI | D4 - D1 | KOSASS | - | K13 | 0 - 4 |
| 14 | | 16:36 | TURF HOKI | D3 - D2 | KC | - | K12 | 6 - 0 |
| 15 | | 16:48 | TURF HOKI | A1 - A2 | K6 | - | KPZ | 1 - 0 |
| 16 | | 17:00 | TURF HOKI | B1 - B2 | K2 | - | K10 | 2 - 0 |
| 17 | | 17:12 | TURF HOKI | B4 - B3 | K17 | - | KTP | 1 - 2 |
| 18 | | 17:24 | TURF HOKI | C1 - C2 | K5 | - | KTDI | 1 - 2 |
| 19 | | 17:36 | TURF HOKI | C4 - C3 | KMR | - | K15 | 2 - 0 |
| 20 | | 17:48 | TURF HOKI | D1 - D2 | K13 | - | K12 | 7 - 0 |
| 21 | | 18:00 | TURF HOKI | D4 - D3 | KOSASS | - | KC | 0 - 7 |
| PERINGKAT SUKU AKHIR | | | | | | | | |
| 22 | 24 MAC 2019 (AHAD) | 8:30 | TURF HOKI | J.A - NJ.D | K6 | - | K13 | 0 - 1 |
| 23 | | 8:47 | TURF HOKI | NJ.B - J.C | K10 | - | KTDI | 0 - 1 |
| 24 | | 9:04 | TURF HOKI | J.D - NJ.A | KC | - | KPZ | 2 - 0 |
| 25 | | 9:21 | TURF HOKI | NJ.C - J.B | KMR | - | K2 | 0 - 2 |
| PERINGKAT SEPARUH AKHIR | | | | | | | | |
| 26 | 24 MAC 2019 (AHAD) | 9:41 | TURF HOKI | MNG 22 - MNG 23 | K13 | - | KTDI | 4 - 2 |
| 27 | | 10:00 | TURF HOKI | MNG 24 - MNG 25 | KC | - | K2 | 2 - 0 |
| PERINGKAT AKHIR | | | | | | | | |
| 28 | 24 MAC 2019 (AHAD) | 11:00 | MINI TURF HOKI | MNG 26 - MNG 27 | K13 | - | KC | 0 - 1 |

*Sila isi ruangan 'Keputusan' secara manual

ACARA : HOKI (L)
TARIKH : 23 - 24 MAC 2019 (SABTU - AHAD)
VENUE : MINI TURF HOKI UPM

* Menang : 3 Kalah : 0

KUMPULAN A

| PASUKAN | K6 | KPZ | K16 | MATA | KED | CATATAN |
|---------|------------|------------|------------|----------|----------|---------|
| K6 | | 1 - 0 3 | 2 - 0 3 | 6 | 1 | |
| KPZ | 0 - 1 0 | | 1 - 1 1 | 1 | 2 | |
| K16 | 0 - 2 0 | 1 - 1 1 | | 1 | 3 | |

KUMPULAN B

| PASUKAN | K2 | K10 | KTP | K17 | MATA | KED | CATATAN |
|---------|------------|------------|------------|------------|----------|----------|---------|
| K2 | | 2 - 0 3 | 1 - 0 3 | 1 - 0 3 | 9 | 1 | |
| K10 | 0 - 2 0 | | 1 - 0 3 | 1 - 0 3 | 6 | 2 | |
| KTP | 0 - 1 0 | 0 - 1 0 | | 2 - 1 3 | 3 | 3 | |
| K17 | 0 - 1 0 | 0 - 1 0 | 1 - 2 0 | | 0 | 4 | |

KUMPULAN C

| PASUKAN | K5 | KTDI | K15 | KMR | MATA | KED | CATATAN |
|---------|------------|------------|------------|------------|----------|----------|---------|
| K5 | | 1 - 2 0 | 2 - 0 3 | 0 - 1 0 | 3 | 3 | |
| KTDI | 2 - 1 3 | | 2 - 0 3 | 2 - 0 3 | 9 | 1 | |
| K15 | 0 - 2 0 | 0 - 2 0 | | 0 - 2 0 | 0 | 4 | |
| KMR | 1 - 0 3 | 0 - 2 0 | 2 - 0 3 | | 6 | 2 | |

KUMPULAN D

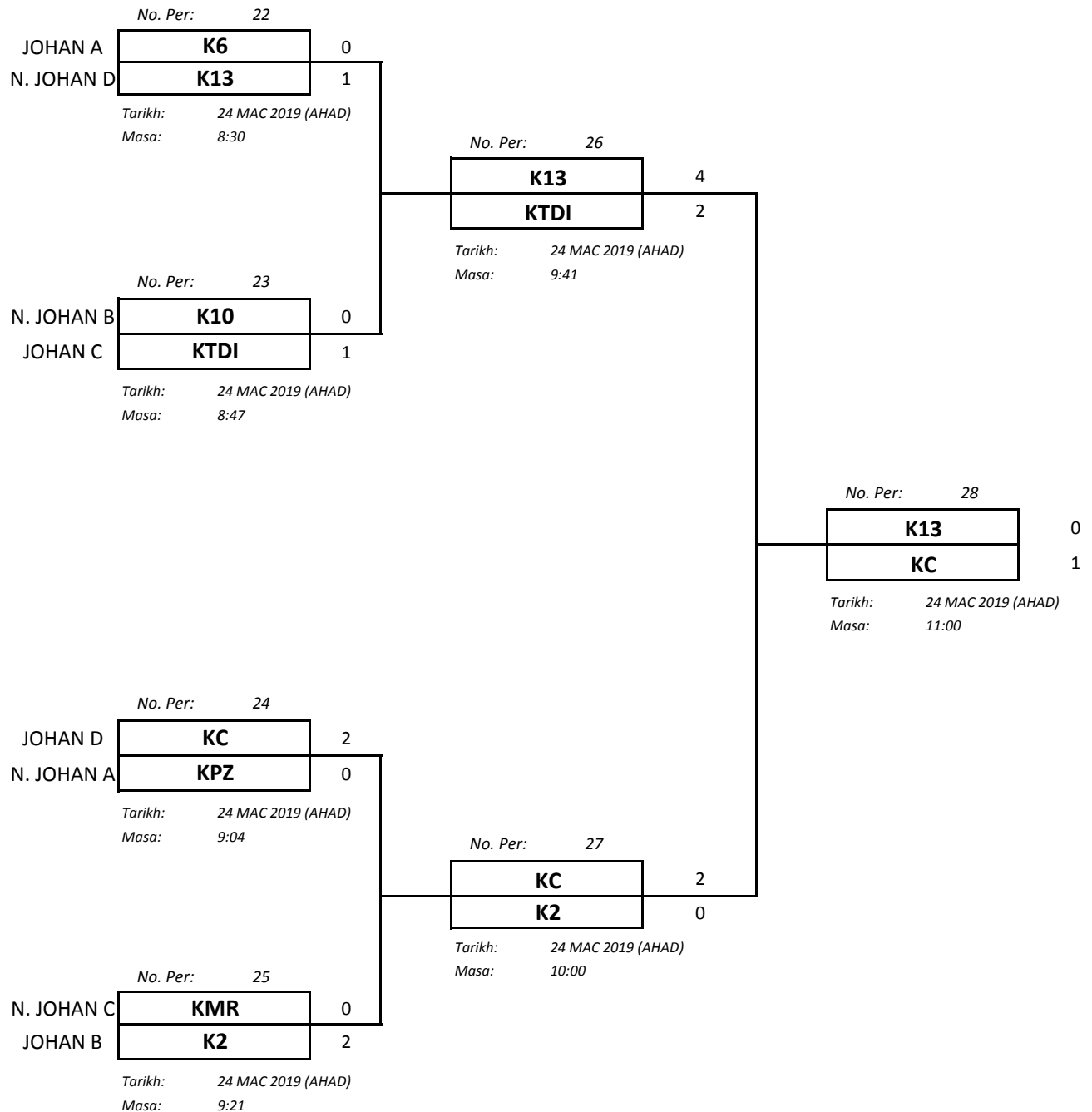
| PASUKAN | K13 | K12 | KC | KOSASS | MATA | KED | CATATAN |
|---------|------------|------------|------------|------------|----------|----------|---------|
| K13 | | 7 - 0 3 | 0 - 0 1 | 4 - 0 3 | 7 | 2 | |
| K12 | 0 - 7 0 | | 0 - 6 0 | 0 - 1 0 | 0 | 4 | |
| KC | 0 - 0 1 | 6 - 0 3 | | 7 - 0 3 | 7 | 1 | |
| KOSASS | 0 - 4 0 | 1 - 0 3 | 0 - 7 0 | | 3 | 3 | |

ACARA : HOKI (L)
TARIKH : 23 - 24 MAC 2019 (SABTU - AHAD)
VENUE : MINI TURF HOKI UPM

SUKU AKHIR

SEPARUH AKHIR

AKHIR



JOHAN : KC

NAIB JOHAN : K13